

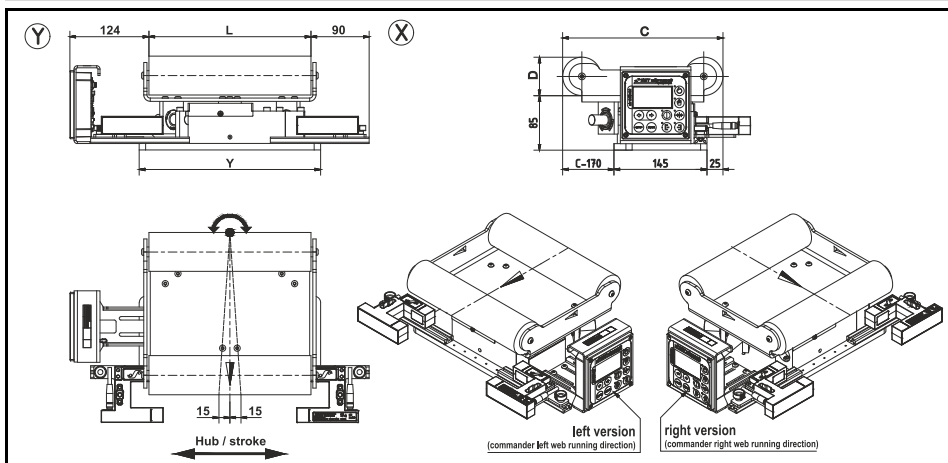
Working Principle and Characteristics

- Compact Web guiding system incl. sensor technology and electro-mechanical actuator
- Ease of installation and connection, as well as easy start up
- Integrated maintenance-free actuator with BLDC motor
- Integrated amplifier *ekr CON 100*
- Optical, as well as ultrasonic sensors connectable
- No setup required
- Clearly arranged graphic display showing sensor coverage, actuator position, amplification and setpoint

General Data

Guiding Functions	<ul style="list-style-type: none"> • Web guiding left or right edge • Center-line guiding • Servo center function
Positioning Speed	25 mm/s max. (at exit roller)
Sensors	<ul style="list-style-type: none"> • Optical and ultrasound sensors
Remote Control Input for	<ul style="list-style-type: none"> • Automatic mode • Manual mode • Servo center • Web edge guiding • Web center-line guiding • Man. adjustment (left / right)
Guiding Lock	via external switch or PLC
Max. Web Tension	300 N

Dimensional Drawing ECOGuide



Dimensions ECOGuide

Size	Width Y [mm]	Roller length L [mm]	Correction span C [mm]	Roller Ø D [mm]	Stroke (Exit Roller) [mm]
1	280	150	180 200	60	± 15
		250 300	180 200 250 300		
		350	180 200 250 300		
2	400	400	250	60	± 15
		450 550	300		
3	580	450 550	300	60	± 15

Intended Use

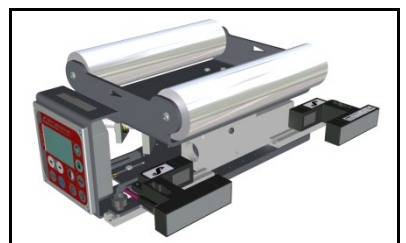
The ECOGuide is a microprocessor controlled compact web guiding system. The compact web guiding system can be used for web edge guiding (right or left web edge) as well as center-line guiding. The compact web guiding system ECOGuide is intended for the installation in another machine or for the merge with other machines to a machine in accordance with Council Directive 2006/42/EG (Machinery Directive).

Note: For commissioning and operation, please refer to the separate documentation.

Mounting Positions

All mounting positions are suitable.

Picture ECOGuide



Product Naming

DF n x D x L x C
DF = Rotating frame guide
n = Number of rollers
D = Diameter of the rollers
L = Length of the rollers
C = Correction span

RoHS Conformity

This product complies with the EC Directive 2011/65 (so-called RoHS* Directive). The limits values for hazardous substances in electrical and electronic equipment specified there are not exceeded by this product.

* Abbreviation for Restriction of Hazardous Substances

Electrical Data

Supply Voltage	24 V DC ± 10 %
Power Consumption	4 A max.

Operating Conditions

Ambient Temperature	0 ... +45 °C
Air Humidity	5 ... 90 % (no condensation)
Protection Class	IP 40